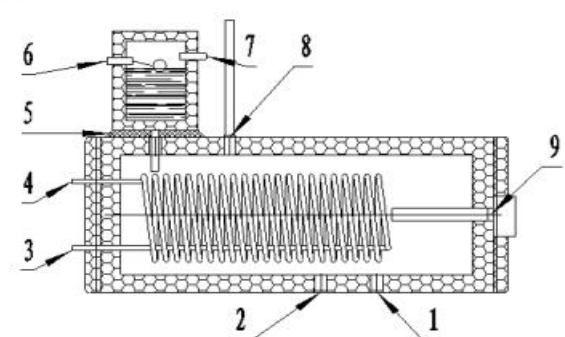
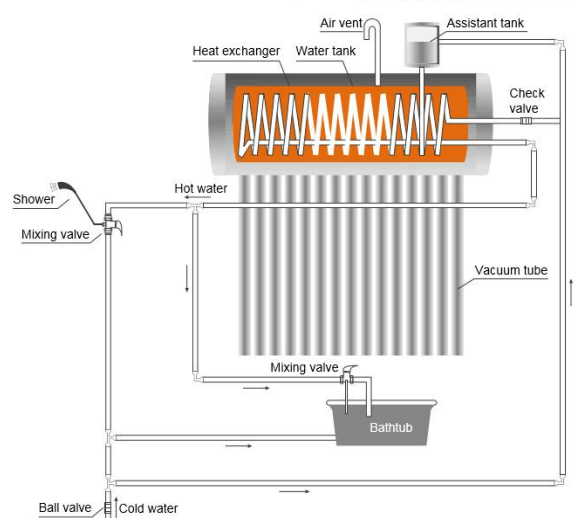
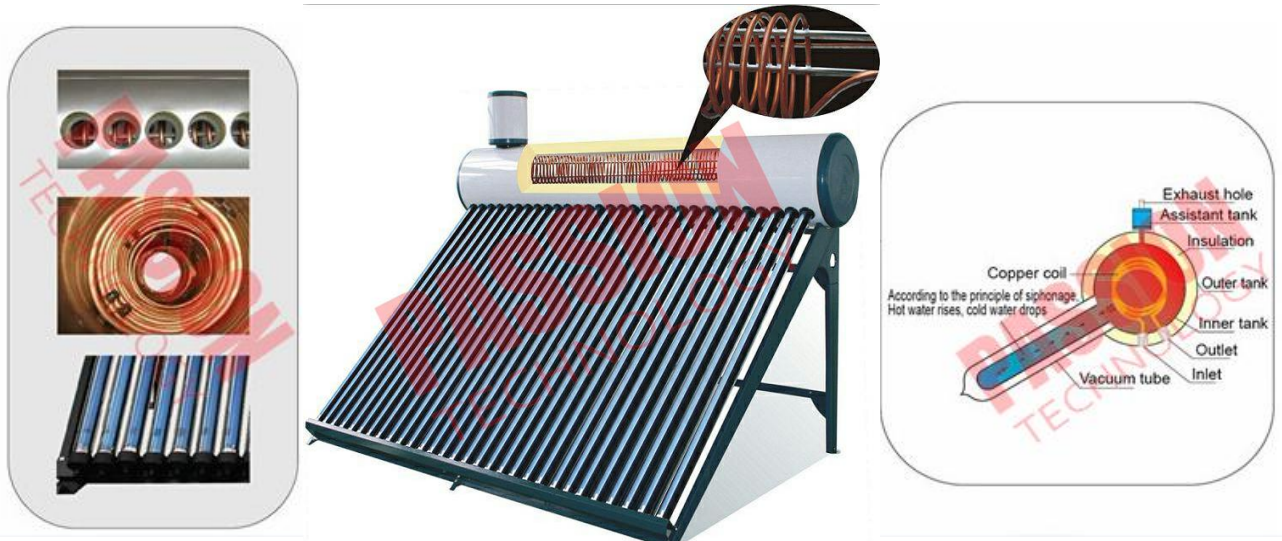


PASSION TECHNOLOGY

Pre-heated Solar Water Heater with Heat Exchanger PT-P

Model	PT-P-10	PT-P-15	PT-P-18	PT-P-20	PT-P-24	PT-P-25	PT-P-30
Storage Tank	100L	150L	180L	200L	240L	250L	300L
	Inner Tank		Stainless Steel SUS304 2B				
	Outer Tank		Sliver /White Colored Steel				
	Insulation Layer		High Density Polyurethane Foaming				
Assistant Tank	5L	5L	5L	5L	5L	5L	5L
Tube QTY(PCS)	10	15	18	20	24	25	30
Heat Exchanger	18	22	25	25	28	28	28
Work Pressure	0.6Mpa						
Three Target Vacuum Tube	Diameter/Length: $\phi 58\text{mm}/1800\text{mm}$; High boron and silicon content 3.3; Structure: Gradual change SS-AL-Nx/Cu selective absorption coating; Vacuum Degree: $P \leq 5 \times 10^{-3}$;						
Bracket	Galvanized Steel with Plastic Coating in Black color - 0/20/30/45 degrees						
Contour Aperture Area	1.27m ²	1.91m ²	2.29m ²	2.55m ²	3.07m ²	3.2m ²	3.83m ²
Accessories (Optional)	Electrical Elements, Magnesium Bar, Controller, Vacuum Tube						
OEM Service:	Logo painting on products and package is for free (20FT,40FT,40HQ)						



- 1.Sensor hole 2.Drain vent 3.Water inlet
- 4.Water outlet 5.Rubber blanket 6.Air vent
- 7.Air outlet 8.Air outlet 9.Electrical element

JIAXING PASSION NEW ENERGY TECHNOLOGY CO., LTD. || www.thermalsolarwaterheater.com

Email: passionsolar@vip.126.com/info@passion-solar.com || Whatsapp: +86 157 5736 4288 / +86 135 1138 8384